

GB24 High Grip Die Cast Push Button Handle Actuator

Features

- When key is turned to lock, the button cannot be depressed
- 'High-grip' design is essentially plant-on, with plunger operating through a good depth of travel. It suits tractor and commercial vehicle applications
- Button operates vertical plunger, which is locked by turning key through 90°
- Keys withdraw in 'open' & 'locked' positions

Material

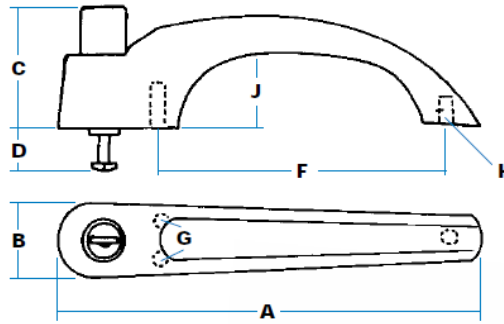
- Chromium plated with chrome button (or black powder coated handle with chrome button, on request)

Notes

- Fixed from beneath into tapped holes
- An adjustment nut allows simple, on-site control of depth of travel of plunger screw



GB24-G22788
(High grip handle)



Part No.	Key	A	B	C	D	F	G	H	J	K
GB24-G22788	Standard	175	33	52	15	120	16	M6 x 19	35	15
GB24-G22788-01	FS880									
GB24-G22789	Non-Locking									

GB24 Classic Die Cast Push Button Handle Actuator

Features

- When key is turned to lock, the button cannot be depressed
- 'Classic' model has much lower projection but fits a flat panel and is widely used by 'kit' and specialist car builders
- Button operates vertical plunger, which is locked by turning key through 90°
- Keys withdraw in 'open' & 'locked' positions

Material

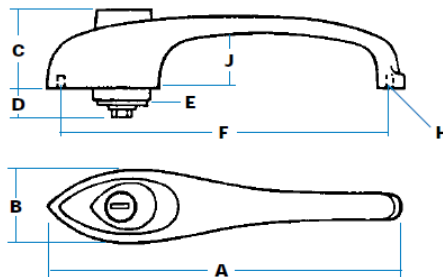
- Chromium plated with chrome button (or black powder coated handle with chrome button, on request)

Notes

- Fixed from beneath into tapped holes
- Requires panel cut-out



GB24-G07986
(Classic push-button handle)



Part No.	Type	A	B	C	D	E	F	H	J	K
GB24-G07986	Locking	158	30	35	12	24	145	¼ BSF x 10	19	8
GB24-G07987	Non-Locking									
GB24-G07988	Locking, Paired									